

# BDG Bevel-Gear Chuck

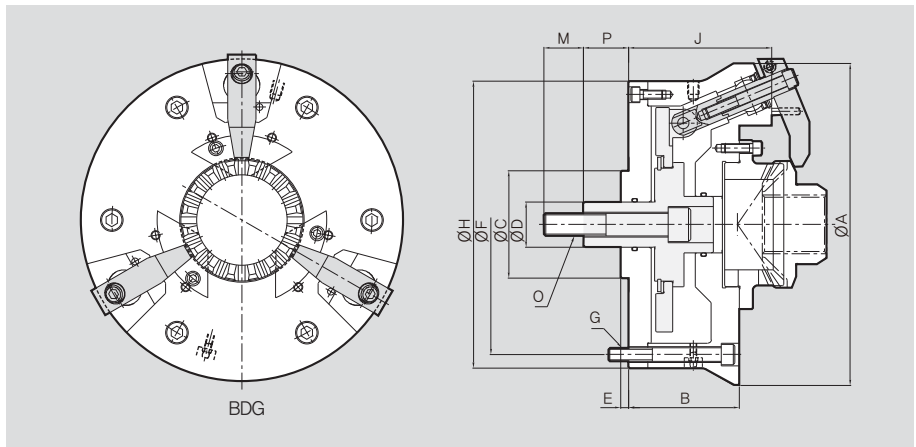
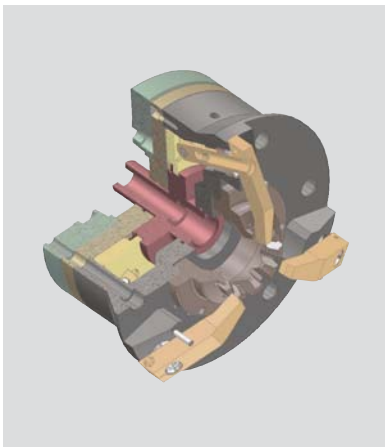


## Application / Benefits

For ID machining of bevel gears.  
Eliminates distortion by clamping onto face

## Technical features

Finger chuck for high accuracy clamping of bevel gears  
Floating action ensures equal clamping force on all 3 fingers  
Available with hydraulic and pneumatic actuation



## DIMENSIONS

	BDG-07	BDG-10
ΦA	215	285
B	98	98
ΦC(h7)	80	95
ΦD	30	40
E	7	7
ΦF	160	230
G	M12	M12
ΦH	185	254
J	126.5	126.5
M	27	35
O	M16	M20
Pmax.	45	45
Pmin.	30	30

## SPECIFICATIONS

	BDG-07	BDG-10
Max. Drawbar Pull [kgf]	1500	1500
Plunger Stroke [mm]	15	15
Clamping Range [mm]	22.2 ~ 147.5	88.9 ~ 203.2
Max. Speed [r.p.m.]	2000	1500
Weight [kg]	30	45