

CDI Inside-Collet Chuck

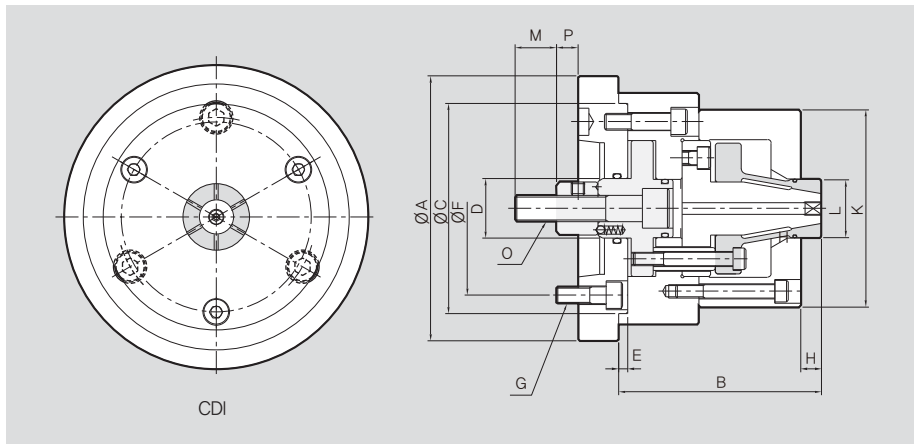
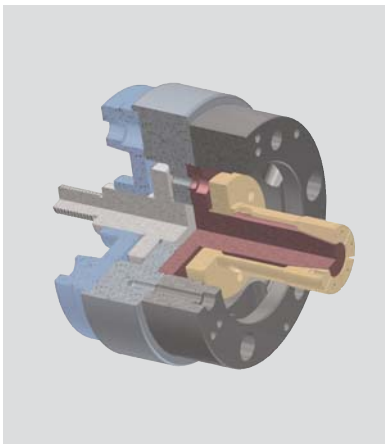


Application / Benefits

High accuracy, Good torque transmission
Even clamping pressure for no deformation
Custom made mandrels

Technical features

Pull down feature for better accuracy
Vulcanized rubber to protect mandrels from chips
Easily ported for air sensing or air/coolant for chip removal



DIMENSIONS

	CDI-06	CDI-08	CDI-10	CDI-12
ΦA	165	200	250	300
B	115	135	180	220
ΦC(h7)	150	170	230	230
ΦD	35	42	52	52
E	6	6	6	6
ΦF	104.8	133.4	171.4	171.4
G	M10	M12	M16	M16
H	15	20	35	40
ΦK	L+25	L+35	L+40	L+50
ΦLmax.	15	90	130	180
ΦLmin.	40	40	90	130
M	40	45	55	55
O	M16	M20	M24	M24
Pmax.	26	33	36	37
Pmin.	23	29	32	32

SPECIFICATIONS

	CDI-06	CDI-08	CDI-10	CDI-12
Max. Clamping Force [kgf]	4000	7000	12000	15000
Max. Drawbar Pull [kgf]	1500	2500	4000	4800
Jaw Stroke Dia. [mm]	0.8	1.0	1.0	1.4
Plunger Stroke [mm]	3	4	4	5
Clamping Range [mm]	Max	90	130	180
	Min	15	40	90
Max. Speed [r.p.m.]	4500	4000	3300	2500
Weight [kg]	7	14	34	55
GD2 [kgf·m ²]	0.06	0.19	0.71	2