

CMV-S 5-Axis Centering Vise



Application / Benefits

Self centering 5-Axis vise

Technical features

Repeats within 0.02mm or lower

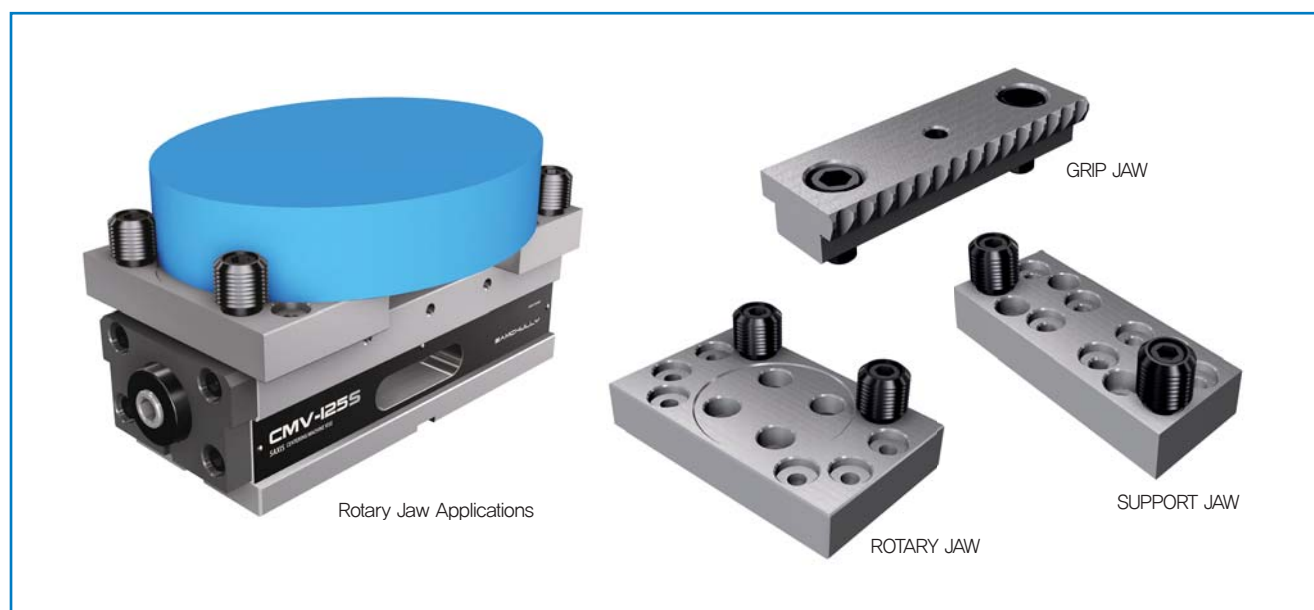
Able to use a variety of jaws for various workpieces

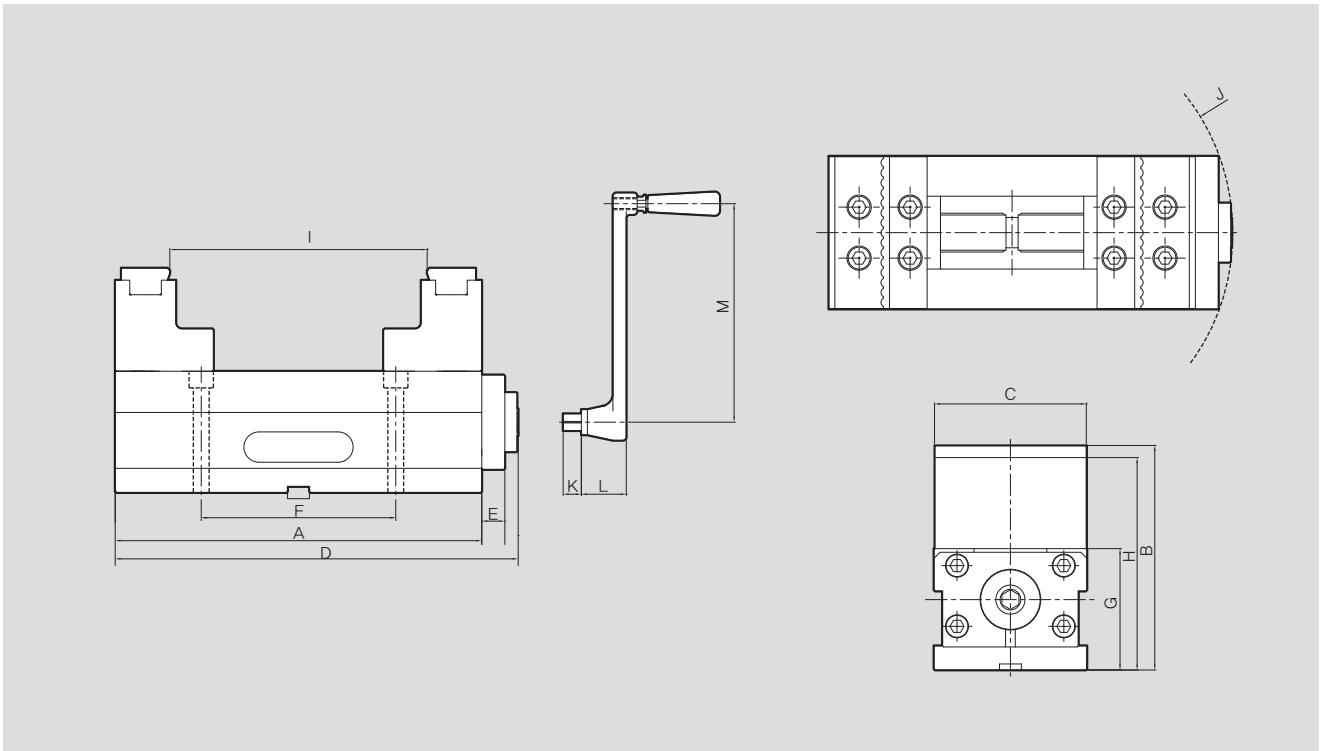
SPECIFICATIONS

	CMV-100S	CMV-125S
Jaw Width [mm]	100	125
Jaw Height [mm]	10	10
Max. Opening [mm]	195	210
Total Height [mm]	160	185
Slider Height [mm]	150	175
Total Width [mm]	101	126
Total Length [mm]	285	332
Max.Gripping Force [kN(kgf)]	20(2000)	20(2000)
Weight [kg]	18	24

※ Specifications are subject to change without notice.

JAW ACCESSORIES





DIMENSIONS

	CMV-100S	CMV-125S
A	262	301
B	160	185
C	100	125
D	285	332
E	12	19
F	160	160
G	85	100
H	150	175
I	MAX. 195	MAX. 210
J	Φ310	Φ364
K	15	15
L	37	37
M	180	180