

IAN Auto-Indexing Chuck



Application / Benefits

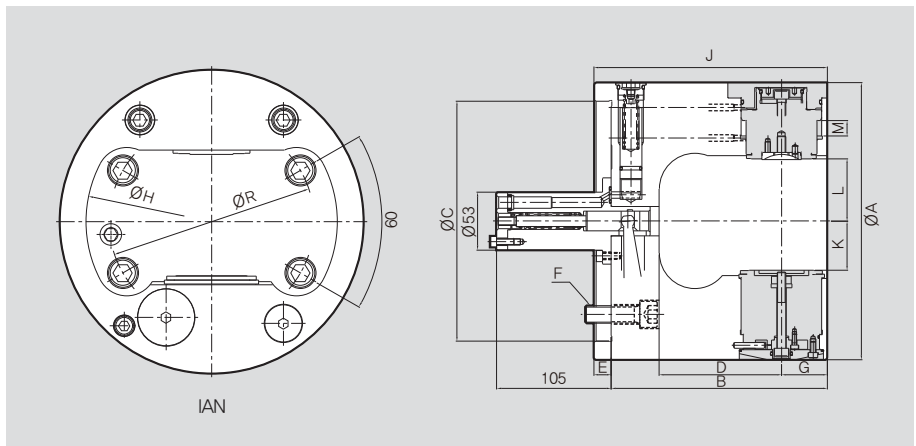
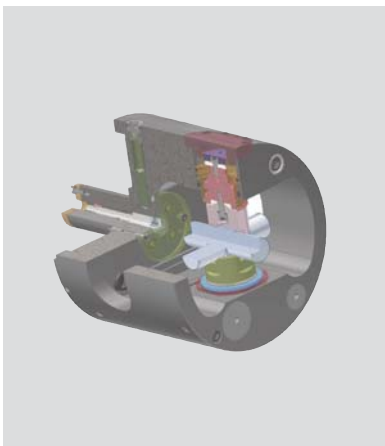
Machine multiple surfaces in a single clamping

Technical features

Accurate, durable indexing system

Index positions 3 x 120° / 4 x 90°

Confirmation of index position via proximity switches

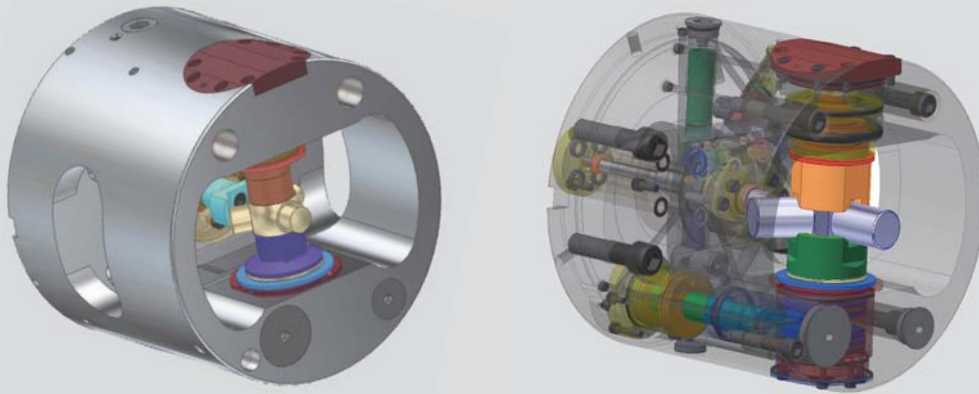
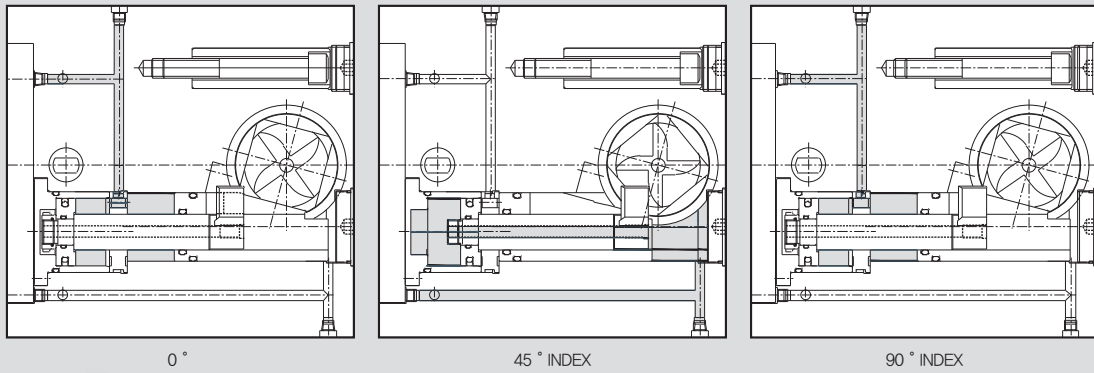


DIMENSIONS

	IAN-235	IAN-254	IAN-280
ØA	235	254	280
B	172	198	211
ØC(h7)	170	220	220
D	102	112	125
E	16	16	16
F	M12	M16	M16
G	30	42	42
ØH	206	228	250
J	188	214	227
K	42.5	45	58
L	54.5	57	70
M	15	17	17
R	133.4	171.4	171.4

SPECIFICATIONS

	IAN-235	IAN-254	IAN-280
Clamp Piston Area [cm ²]	30	43	43
Max. Pressure [kgf·m ²]	45	45	45
Max. Speed [r.p.m.]	3000	2500	2300
Weight [kg]	32	45	55
GD2 [kgf·m ²]	0.27	0.47	0.88



Work Pieces

