

MMV Mechanical Machine Quick Vise



Application / Benefits

Mechanical Machine Vise with no oil leak.

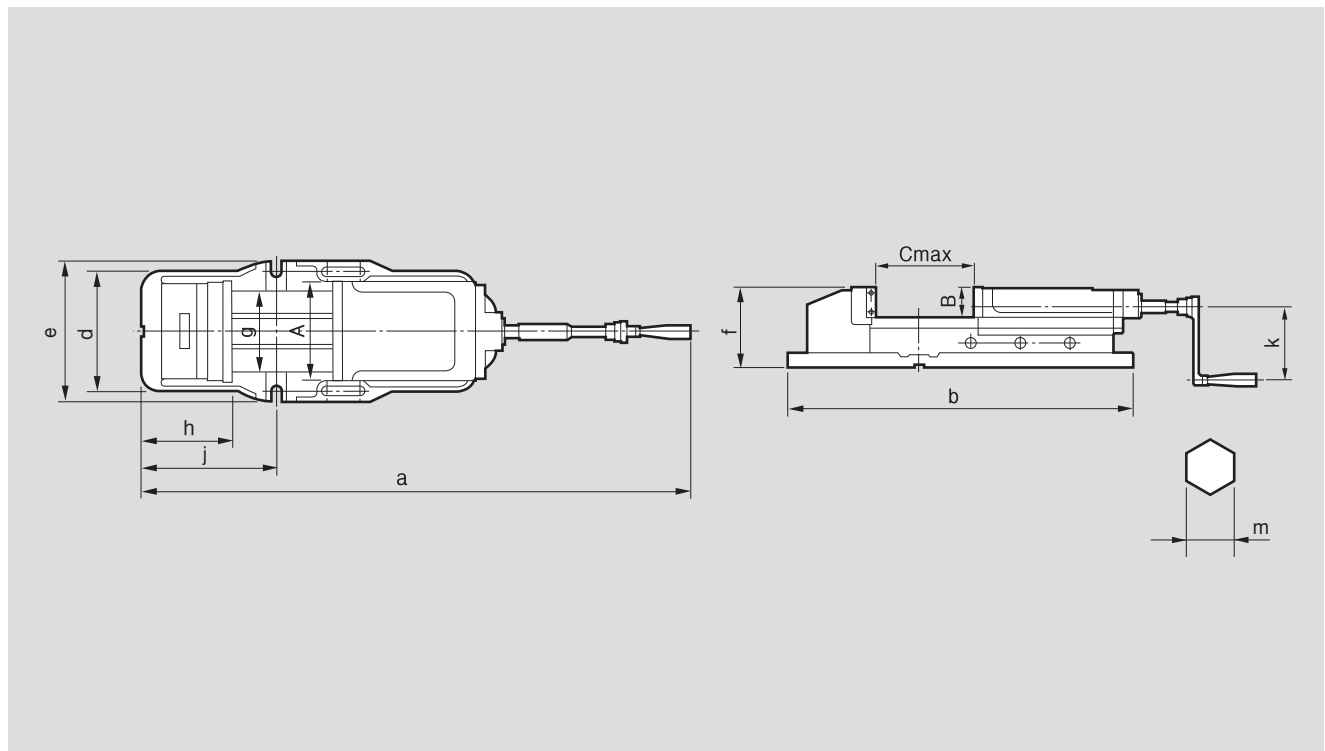
Technical features

Mechanically boosted torque presetter helps prevent part deformation

SPECIFICATIONS

	MMV-150Q(6")	MMV-200Q(8")
Max. Grip Torque [kg]	4,400	6,500
Body [kg]	56.0	94.0
Max. Opening [mm]	300	300
Table [kg]	16.0	23.0
Operating Swivel Base	VS-175T	VS-200T
Mounting Key Size	34x16x10	36x20x12

※ Specifications are subject to change without notice.



※ See the product dimension Table on the right.

DIMENSIONS

	MMV-150Q(6")	MMV-200Q(8")
A	150	200
B	51	62
C	300	300
a	800	900
b	620	700
c	200	240
d	240	280
e	133	162
g	116	160
h	125	165
i	210	266
j	130	130
k	19	19
Max. Grip Torque [kg]	4,400	6,500