

PCV Standard Power Vise



Application / Benefits

High precision vise with torque presetter

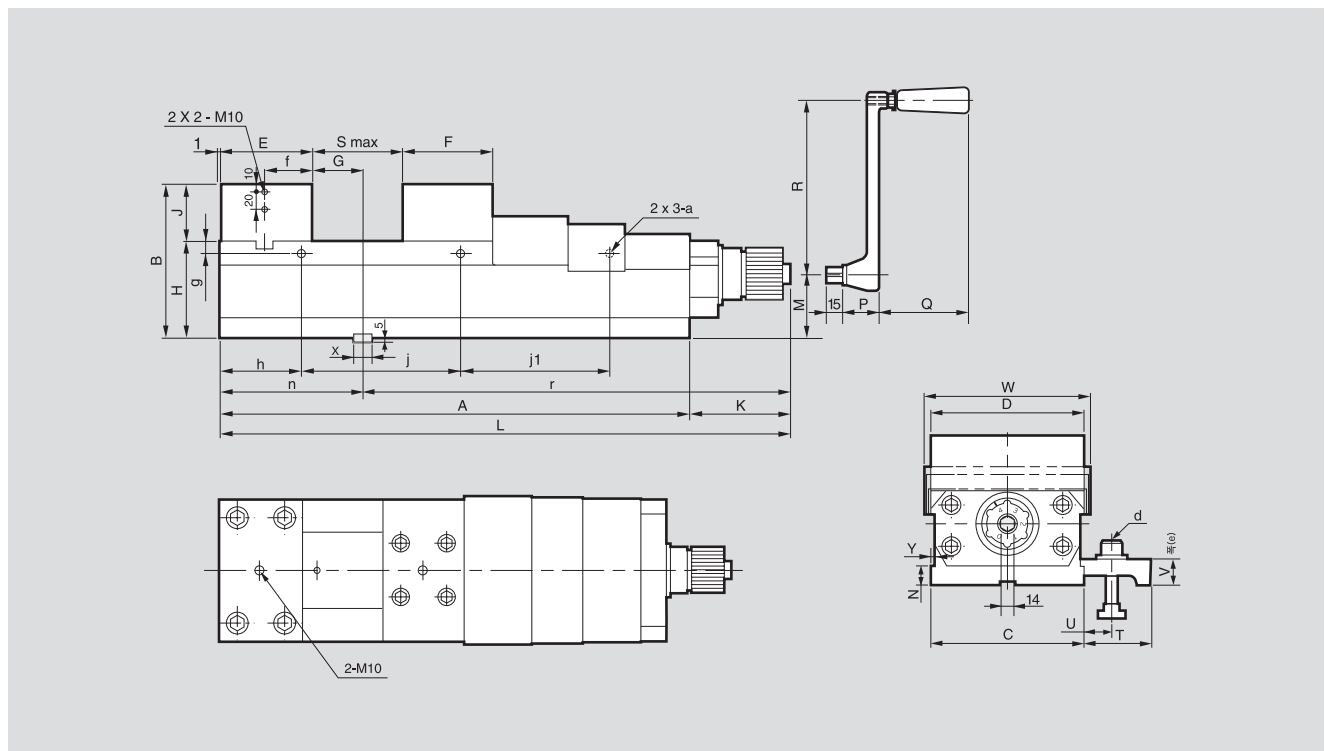
Technical features

Mechanically boosted torque presetter helps prevent part deformation

SPECIFICATIONS

	PCV-100 (4")	PCV-125 (5")	PCV-160 (6")	PCV-200 (8")	PCV-250 (10")
Jaw Width [mm]	100	125	160	200	250
Jaw Height [mm]	40	50	60	70	80
Max. Opening [mm]	150	230	300	320	450
Total Height [mm]	115	135	160	180	195
Slider Height [mm]	75	85	100	110	115
Total Width [mm]	107	135	170	214	264
Total Length [mm]	400	505	595	638	810
Max.Gripping Force [kN(kgf)]	25(2551)	35(3571)	60(6122)	60(6122)	80(8163)
Weight [kg]	25	43	65	100	150

※ Specifications are subject to change without notice.



※ See the product dimension Table on the right.

DIMENSIONS

	PCV-100(4")	PCV-125(5")	PCV-160(6")	PCV-200(8")	PCV-250(10")
A	295	400	490	533	705
B	115	135	160	180	195
C	101	126	161	202	252
D	100	125	160	200	250
E	73	84	94	102	120
F	64	76	86	98	120
G	38.5	60	50	74	100
H	75	85	100	110	115
J	40	50	60	70	80
K	105.5	105.5	105.5	105.5	105.5
L	400.5	505.5	595.5	638.5	810.5
M	43	50	65	75	75
N	15	21	21	21	21
P	37	37	37	37	37
Q	95	95	95	95	95
R	180	180	180	180	180
S	150	230	300	320	450
T	60	72	72	72	72
U	14~26	15~31	15~31	15~31	15~31
V	22.5	30	30	30	30
W	107	135	170	214	267
X	14	18	18	18	22
Y	6	6	7	7	7
a	M10	M10	M10	M10	M10
b	M12x45	M16x65	M16x65	M16x65	M20x65
e	35	45	45	45	45
f	36.5	42	47	51	60
g	12	12	12	12	12
h	95	95	105	126	140
j	105	105	140	141	140
j1	-	105	140	141	140
j2	-	-	-	-	140
n	112.5	145	145	177	221
r	288.0	360.5	450.5	461.5	589.5