

# PHD Outside Pull-Down Chuck



## Application / Benefits

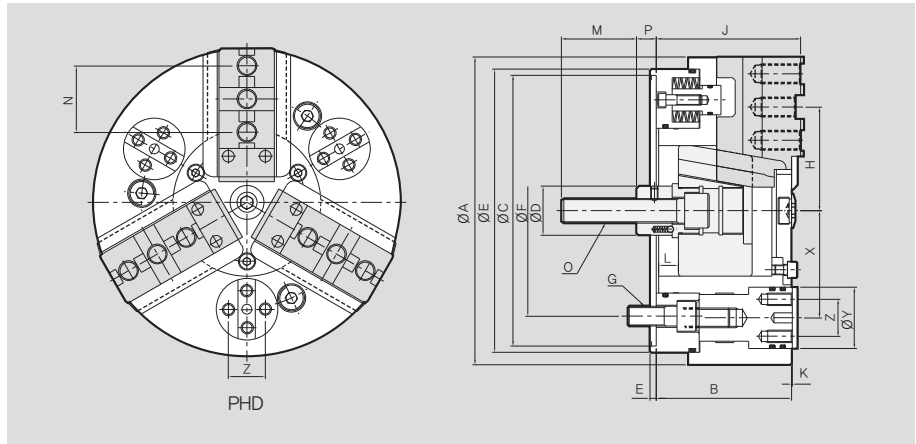
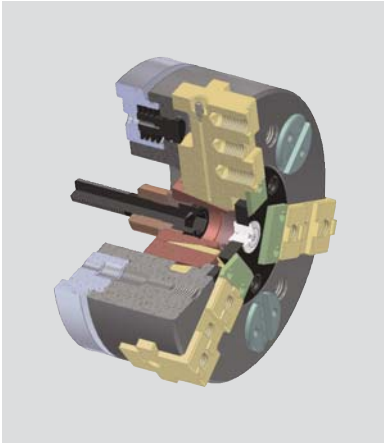
TOD clamping chuck ideal for parts with small gripping surfaces. High accuracy to hold parallel and perpendicular tolerances.

## Technical features

Chuck will center the workpiece, then chuck body will pull back to locate workpiece on fixed locator stop(s)

## SPECIFICATIONS

	PHD-200	PHD-250	PHD-300	PHD-380
Max. Clamping Force [kgf]	8100	11000	13500	16500
Max. Drawbar Pull [kgf]	3000	4000	5000	6000
Jaw Stroke Dia. [mm]	8.5	10.5	12	12
Plunger Stroke [mm]	24	30	34	34
Stop Traction [kgf]	200	300	300	450
Max. Speed [r.p.m.]	3500	3000	2500	200
Weight [kg]	21	37	54	95



## DIMENSIONS

	PHD-200	PHD-250	PHD-300	PHD-380
ØA	200	250	300	380
B	105	115	123	135
ØC(h7)	170	220	220	300
ØD	40	40	50	50
ØE	5	5	5	5
ØF	133.4	171.4	171.4	235
G	M12	M16	M16	M20
Hmax.	71.5	87	105	133.5
Hmin.	67.3	81.7	99	127.5
J	107	117	125	137
K	1	1	1	1
Lmax.	34	34	34	34
Lmin.	10	4	5	16
M	52	60	60	60
N	44.5	54	63.5	76.2
O	M20	M20	M24	M24
Pmax.	25	31	30	19
Pmin.	1	1	-4	-15
X	70	87	108	130
ØY	42	50	68	80
Z	24	30	40	54