

# YS-RA

Ultra-Compact Closed-Center Hydraulic Cylinder  
with Proximity Bracket and Built-in Rotary joint



### Application / Benefits

Compact cylinder for work not requiring spindle through  
Built-in rotary union for air through

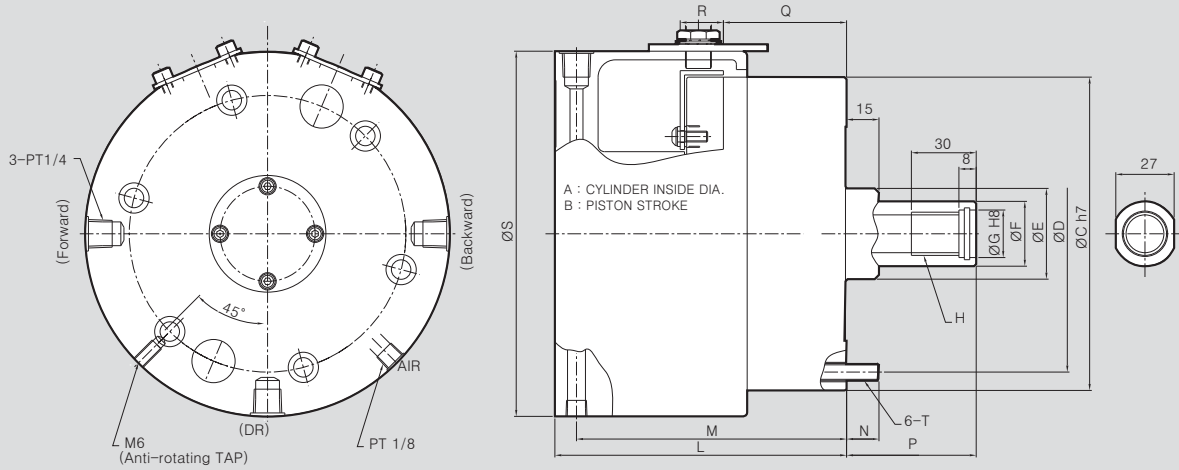
### Technical features

Check valve maintains pressure during power outage  
Built in rotary joint

## SPECIFICATIONS

	YS-11020RA	YS-12021RA	YS-13030RA
Piston Stroke [mm]	20	21	30
Piston Surface Area (Push) [cm <sup>2</sup> ]	87.6	105.7	131.8
Piston Surface Area (Pull) [cm <sup>2</sup> ]	84	102	122.5
Piston Force (Push) [kN(kgf)]	28(2855)	39(3977)	47(4793)
Piston Force (Pull) [kN(kgf)]	27(2753)	38(3875)	45(4589)
Max. Operating Pressure [MPa(kgf/cm <sup>2</sup> )]	3.5(35.7)	4.0(40.8)	4.0(40.8)
Max. r.p.m. [min <sup>-1</sup> ]	6000	6000	6000
Moment of inertia [N · m <sup>2</sup> (kg · m <sup>2</sup> )]	0.157(0.016)	0.274(0.028)	0.284(0.029)
Weight [kg]	8.2	10.2	10.3
Total leakage [l /min]	1.2	1.2	1.2

※ Specifications are subject to change without notice.



## DIMENSIONS

	YS-11020RA	YS-12021RA	YS-13030RA
A	110	120	130
B	20	21	30
ØC	145	168	168
ØD	128	145	150
ØE	42	42	51
ØF	30	30	36
ØG	22	22	26
H	M20x2.5	M20x2.5	M24x3.0
J	30	30	35
K	15	15	15
L	135	135	144
M	125	125	134
N	14	17	17
P max.	60	60	60
P min.	40	39	30
Q max.	77	78	90
Q min.	57	57	66
R	20	20	20
ØS	169	192	192
T	M8x80	M8x80	M10x80